



PAMIĘTAJ!!! Ostateczne rozwiązania zaznacz na karcie odpowiedzi.

1. Które zdanie jest poprawne?

- A) Lucy does usually her homework in her bedroom. B) Lucy usually does her homework in her bedroom.
 C) Paula always is late for school. D) Paula is late for school always.

2. Ben any pets at home.

- A) has got B) has C) don't has got D) doesn't have

3. We swim in the sea in summer.

- A) can B) are C) like D) have

4. Połącz czasowniki z odpowiednimi rzeczownikami.

1. go	A. homework
2. have	B. a film
3. do	C. to bed
4. watch	D. dinner

- A) 1-B; 2-D; 3-C; 4-A B) 1-C; 2-D; 3-A; 4-B
 C) 1-A; 2-C; 3-B; 4-D D) 1-D; 2-B; 3-C; 4-A

5. hunt other animals.

- A) Deer B) Horses C) Wolves D) Giraffes

6. I like those pink trousers. I like

- A) it B) they C) them D) its

7. My dog is the chair.



- A) under B) on C) next to D) in

8. People usually cook meals in the

- A) bathroom B) bedroom C) hall D) kitchen

9. does your father get up?

- A) When time B) What time C) Where D) What

10. Julia has got new in her schoolbag.



- A) crayons B) compasses C) sharpener D) brushes

11. I know His name is Carl.

- A) he B) him C) her D) his

12. There's a bus stop our school.

- A) under B) between C) on front of D) in front of

13. A: Can your form teacher speak English?

B:

- A) Yes, she does. B) No, she isn't. C) No, she can't. D) Yes, she is.

14. We usually have breakfast

- A) at night B) in the evening C) in the morning D) in the afternoon

15. is in the autumn.

- A) November B) January C) July D) April

16. Daniel Radcliffe is a young actor. He in two or three films a year.

- A) plays B) watches C) acts D) play

17. We sometimes go to bed (1) midnight (2) the weekend.

- A) (1) on; (2) in B) (1) in; (2) on C) (1) on; (2) at D) (1) at; (2) at

18. Tina and her brother, Jack, are nine years old. They are

- A) twins B) cousins
 C) couples D) pets

19. My little sister is only five, but she can play the

- A) chess B) basketball C) cricket D) violin

20. Can you see car in the street? It's mine.

- A) these B) that C) this D) those

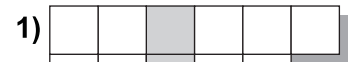


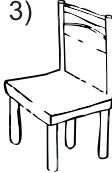





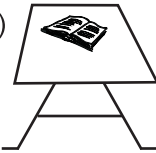

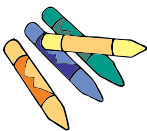


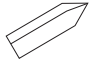

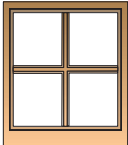
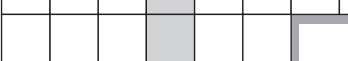

21. Peggy and Tessa at school. They are at home.

- A) is B) aren't C) isn't D) are

22. I (1) eleven and my big brother (2) seventeen.

- A) (1) have; (2) has B) (1) are; (2) has
 C) (1) have got; (2) is D) (1) am; (2) is

23. Rozwiąż krzyżówkę „School” z hasłem.

1)		1)		2)		3)		4)	
2)									
3)									
4)									
5)		6)		6)		7)			
7)									
8)		8)		9)		10)			
9)									
10)									

Hasło krzyżówki to:

- A)  B)  C)  D) 

24. Milk is (1) and blood is (2)

- A) (1) grey; (2) purple B) (1) green; (2) brown
 C) (1) white; (2) red D) (1) blue; (2) orange

25. A is a member of the 'big cats' family.

- A) pig B) giraffe C) lynx D) dolphin (1)

26. Tony's grandparents have got 20 (1) and 37 (2) on their farm.

- A) (1) ostriches; (2) geese B) (1) ostriches; (2) geese
 C) (1) ostriches; (2) geese D) (1) ostriches; (2) geese